

FAG

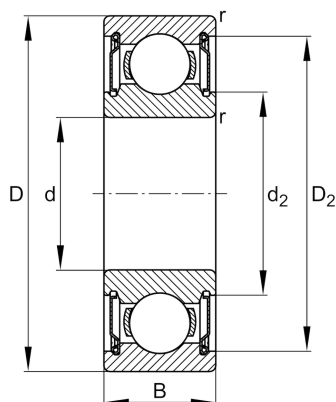
6005-H-2Z

Deep groove ball bearing

Schaeffler ID:
0938778110000

Deep groove ball bearing 60..-H-2Z, single row, H-Series, shields, steel sheet metal cage

Technical information

**Main Dimensions & Performance Data**

d	25 mm	Bore diameter
D	47 mm	Outside diameter
B	12 mm	Width
C_r	10.070 N	Basic dynamic load rating, radial
C_{0r}	5.850 N	Basic static load rating, radial
C_{ur}	350 N	Fatigue load limit, radial
n_G	18.600 1/min	Limiting speed
n_{gr}	15.200 1/min	Reference speed
	0,083 kg	Weight

Dimensions

r_{min}	0,6 mm	Minimum chamfer dimension
D_2	42 mm	Caliber diameter outer ring
d_2	30,3 mm	Caliber diameter inner ring

Mounting dimensions

d_{amin}	28,2 mm	Minimum diameter shaft shoulder
D_{amax}	43,8 mm	Maximum diameter of housing shoulder
r_{amax}	0,6 mm	Maximum fillet radius

Calculation factors

f_0	14,5	Calculation factor
-------	------	--------------------

Temperature range

T_{min}	-20 °C	Operating temperature min.
T_{max}	120 °C	Operating temperature max.

